
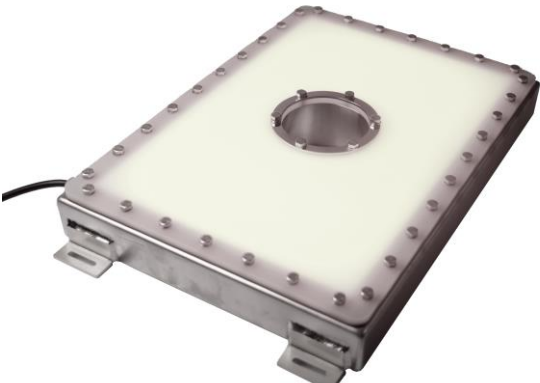








The Stainless Steel Range is specially designed for machine vision applications in food industry and washing environments (resistant to washing chemicals).

Available products

| | |
|---|--|
|  |  |
|  |  |
|  |  |
|  <p>Only EFFI-SMART-06 & EFFI-SMART-12</p> |  |

Configuration



| | Product | EFFI-BL-IP69K | EFFI-FD-IP69K | EFFI-FLEX-IP69K | EFFI-SMART-IP69K |
|-------------|---------------|---|---|--|--|
| Mechanics | Material | 316L Stainless Steel | 316L Stainless Steel | 316L Stainless Steel | 316L Stainless Steel |
| | Length | Every 50mm | Every 50mm | Every 100mm | 6LED / 12LED |
| | Width | Every 50mm | Every 50mm | | |
| | Hole diameter | | 70mm | | |
| Optics | λ (nm) | 625 / 850 / 5500K | 625 / 850 / 5500K | 405 / 465 / 525 / 625 / 850 / 5500K | 465 / 525 / 625 / 850 / 5500K |
| | Window | Opaline | Opaline | Transparent / Semi-diffusive / Opaline | Transparent / Semi-diffusive / Opaline |
| | Lens position | | | P0 / P1 / P2 / P3 | P0 / P1 / P2 / P3 |
| Electronics | Default | <p>! EFFI-BL-IP69K is 2X less powerful than EFFI-BL. (1)</p> | <p>! EFFI-FD-IP69K is 2X less powerful than EFFI-FD. (1)</p> | | |
| | | | | Or (Option 1 : ELS) | And |
| | | | | | |
| | | | | Or (Option 2 ELS-IN) | And |
| | | | | | |
| Options | Polariser | Not available | Not available | Available | Not available |
| | Linescan | | | Available | Not available |
| | Others | Others options on request, please contact EFFILUX | | | |

(1) Power supply for EFFI-BL-IP69K-XXX-YYY and EFFI-FD-IP69K-XXX-YYY = $\frac{\text{Power supply for EFFI-BL-XXX-YYY or EFFI-FD-XXX-YYY}}{2}$

Please refer to the datasheet of standard products for more technical information about optics or electronics.

Electronical considerations



Contact arrangement

ÖLFLEX® ROBUST 210 (Câble 5X0.5 : ref LAPP 0021886) - Weather, bio oil, detergent and hot water resistant for use in food & beverage industry and composting plants

Core insulation made of modified PP / Outer sheath made of special TPE / Sheath colour: black

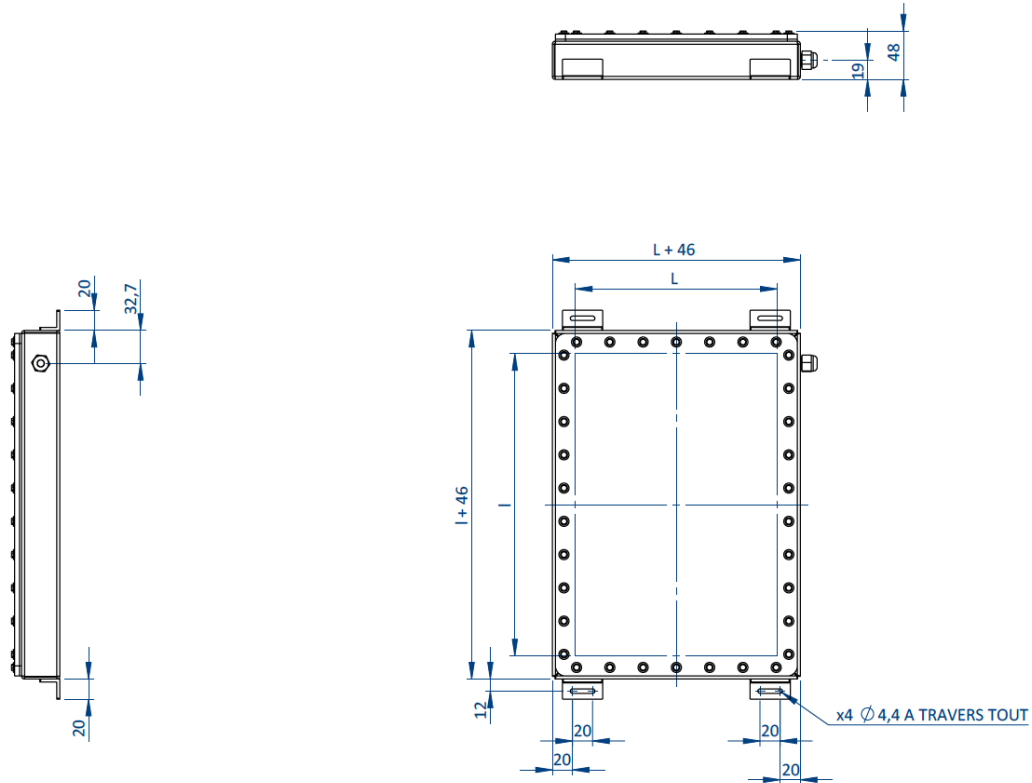
Length : 10m (other length available on request)

| Conductor N° | EFFI-FD-IP69K / EFFI-BL-IP69K | EFFI-FLEX-IP69K | EFFI-SMART-IP69K |
|--------------|-------------------------------|-----------------|------------------|
| 1 | +24V | +24V | +24V |
| 2 | n.c. | n.c. | NPN |
| 3 | GND | GND | GND |
| 4 | DIM | TRIG (or DIM) | PNP |
| 5 | n.c. | n.c. | AIC |

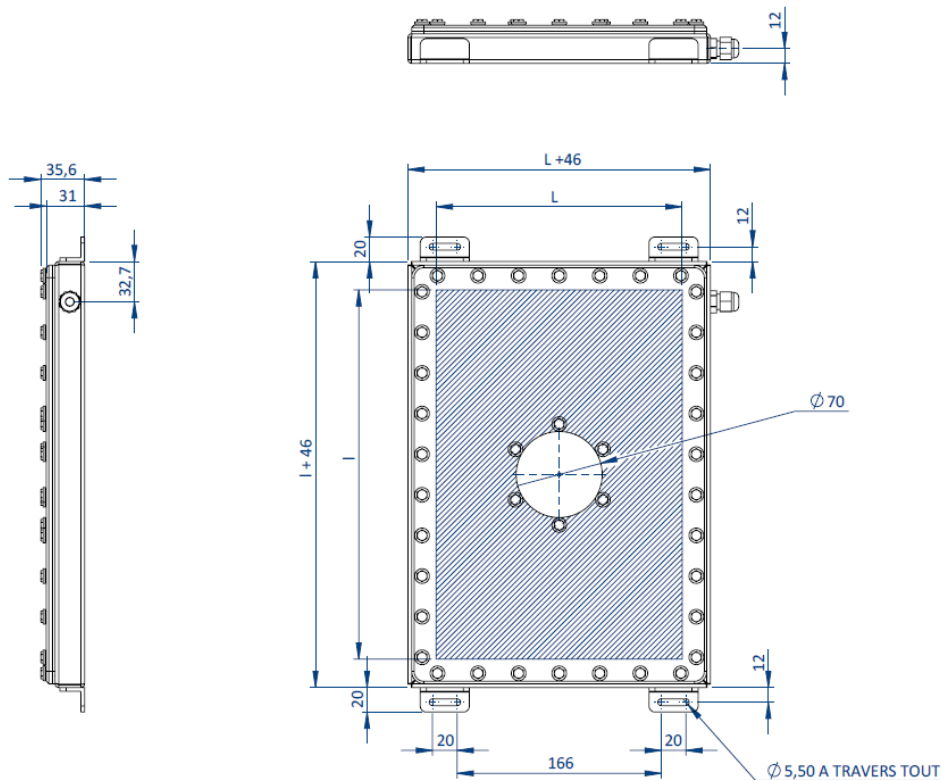
Mechanical considerations



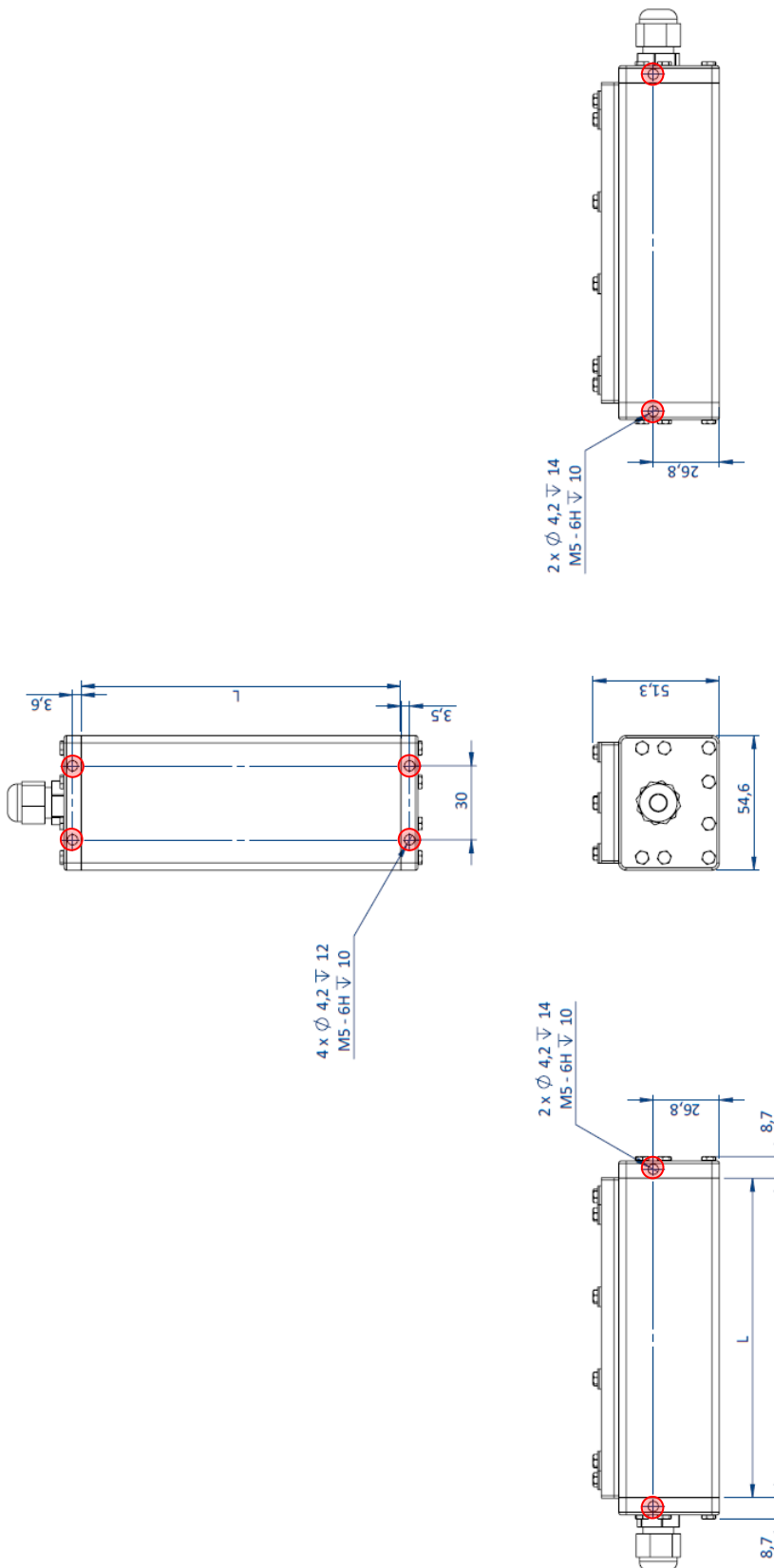
EFFI-BL-IP69K



EFFI-FD-IP69K

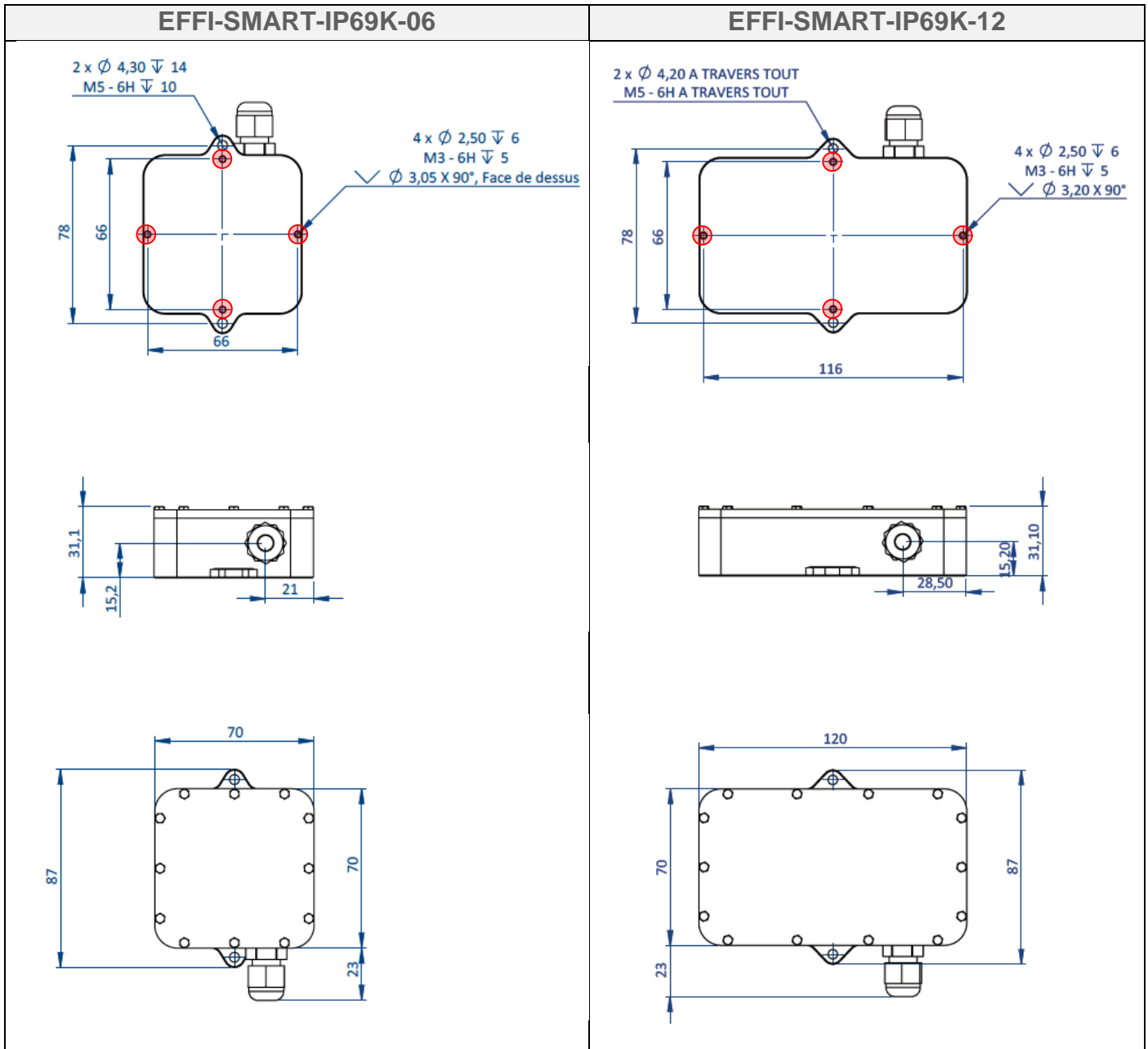


EFFI-FLEX-IP69K



! To guarantee a FDA compliancy, stainless steel screws have to fill in the gaps (x8)

EFFI-SMART-IP69K



! To guarantee a FDA compliancy, stainless steel screws have to fill in the gaps (x4)